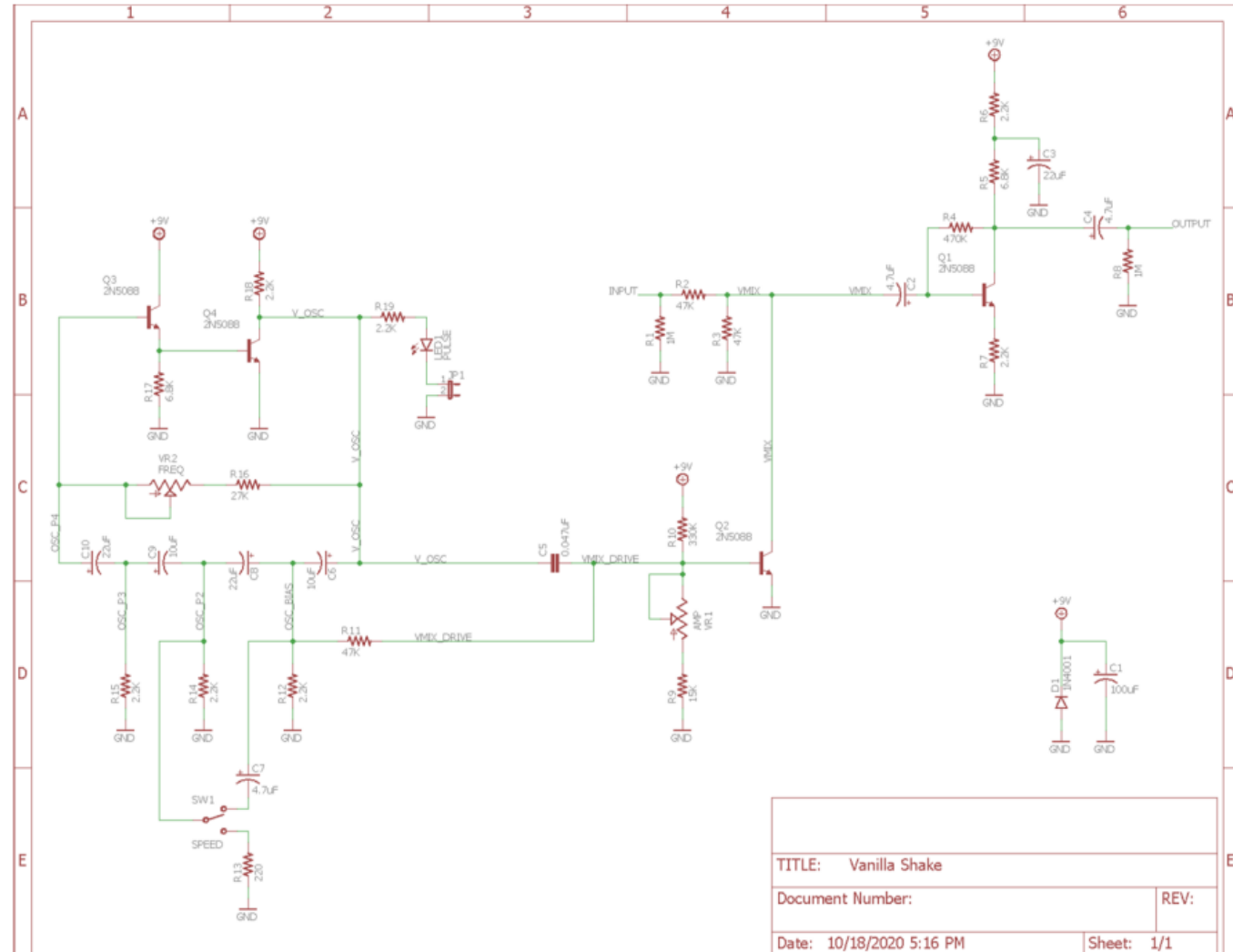
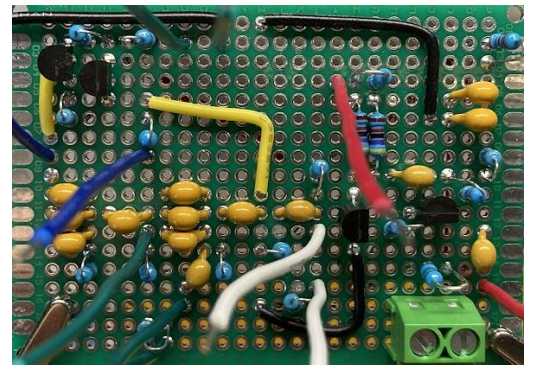
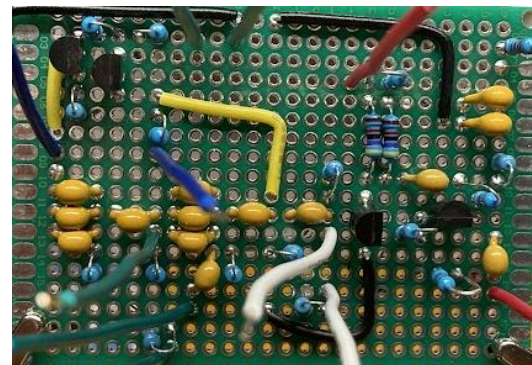
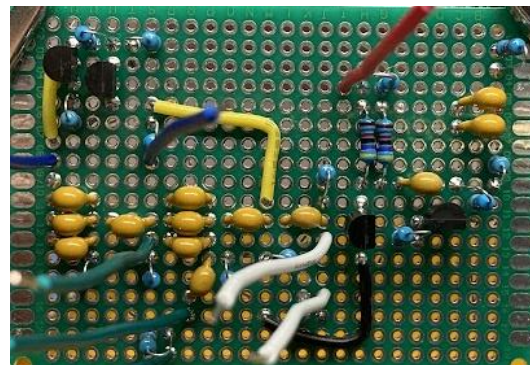
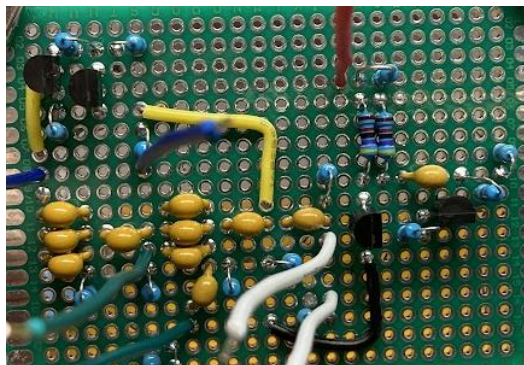
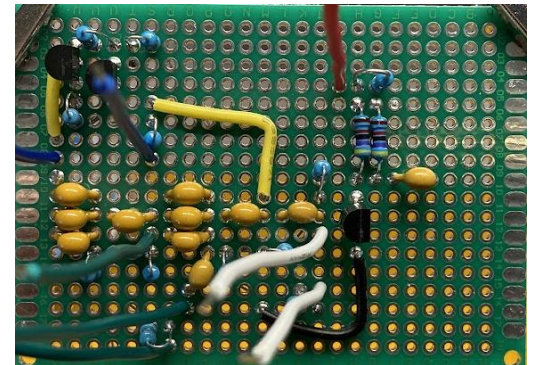
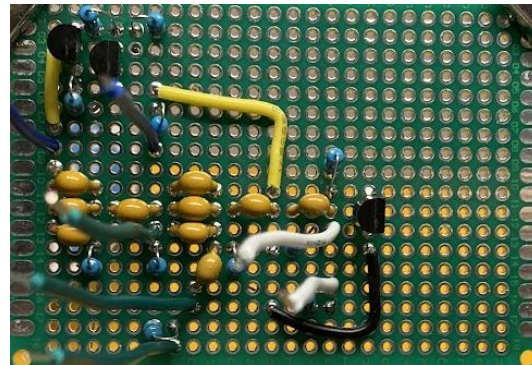
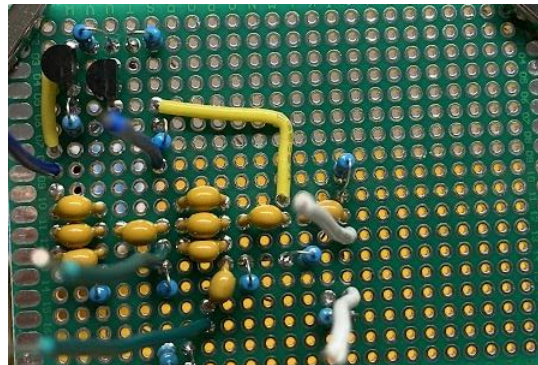
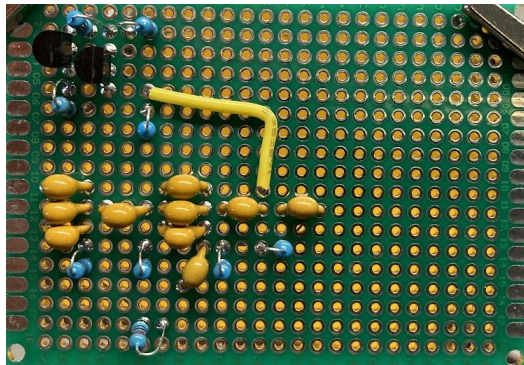
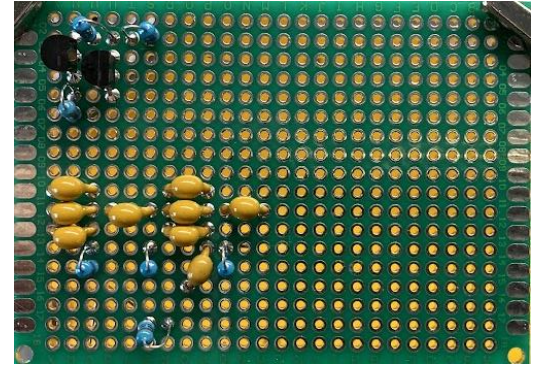
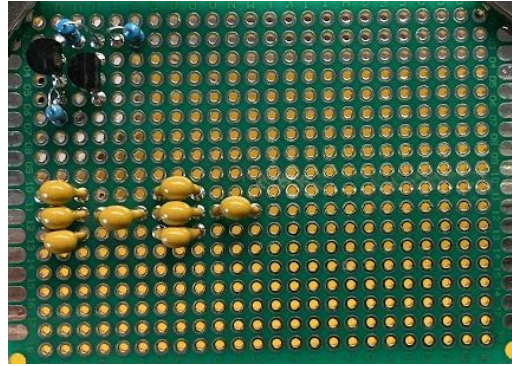
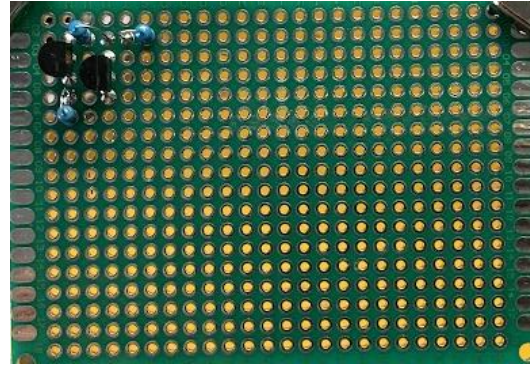


Schematic

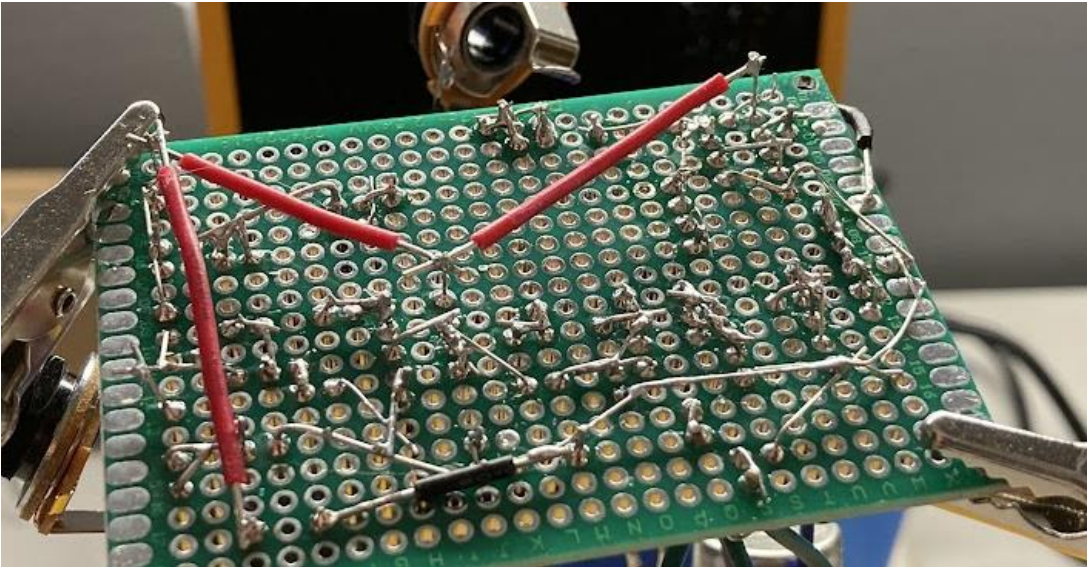
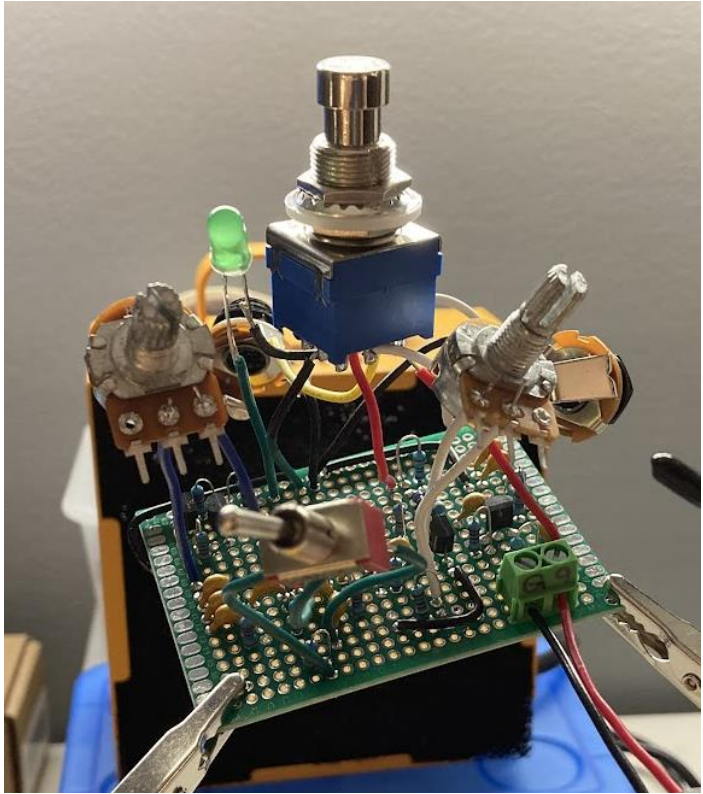
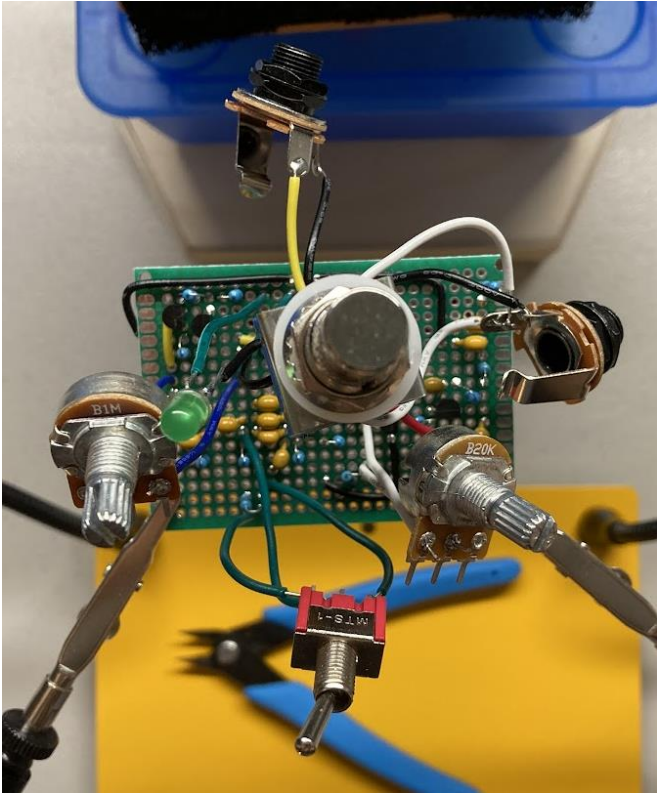


From <https://www.diyguitarpedals.com.au/shop/boms/Vanilla%20Shake.pdf>

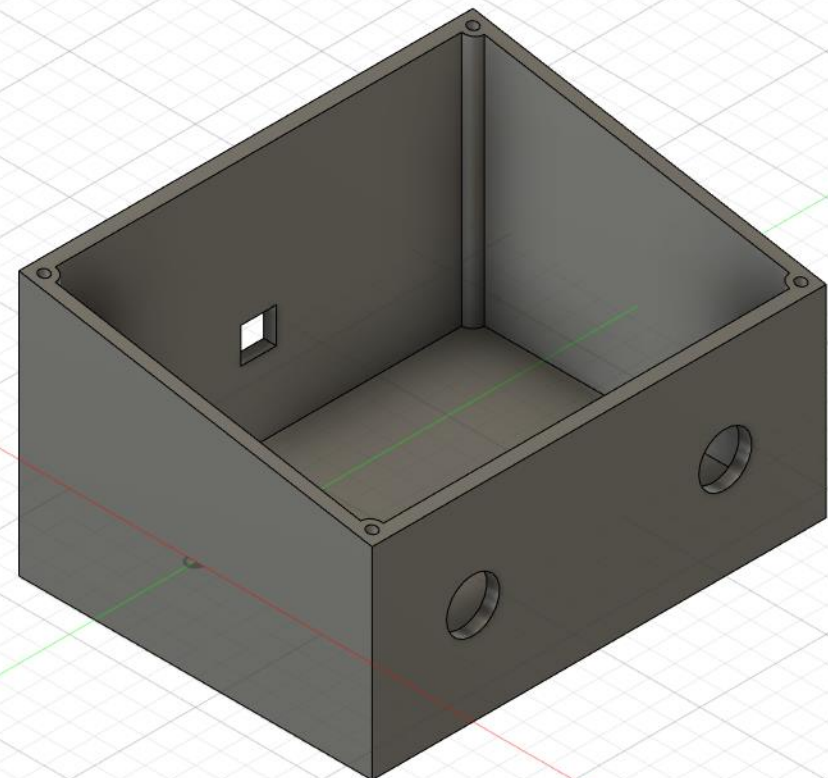
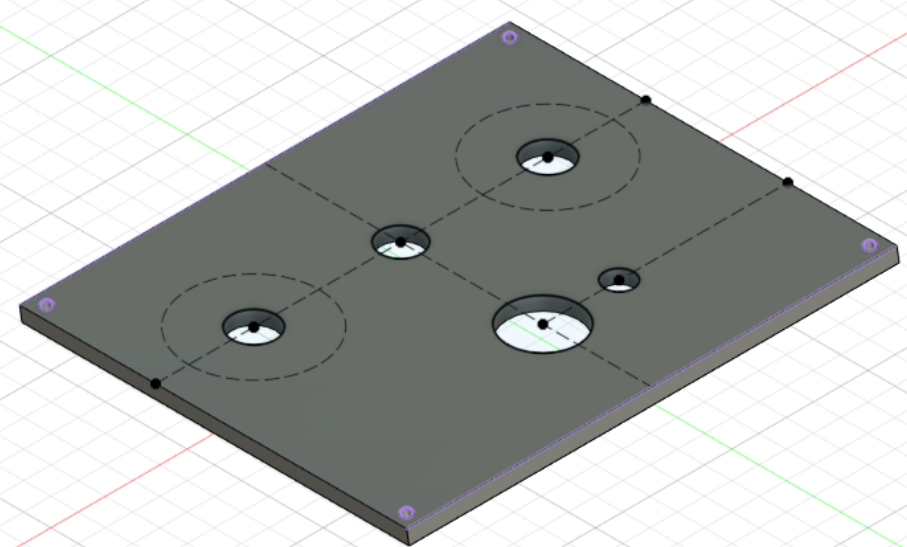
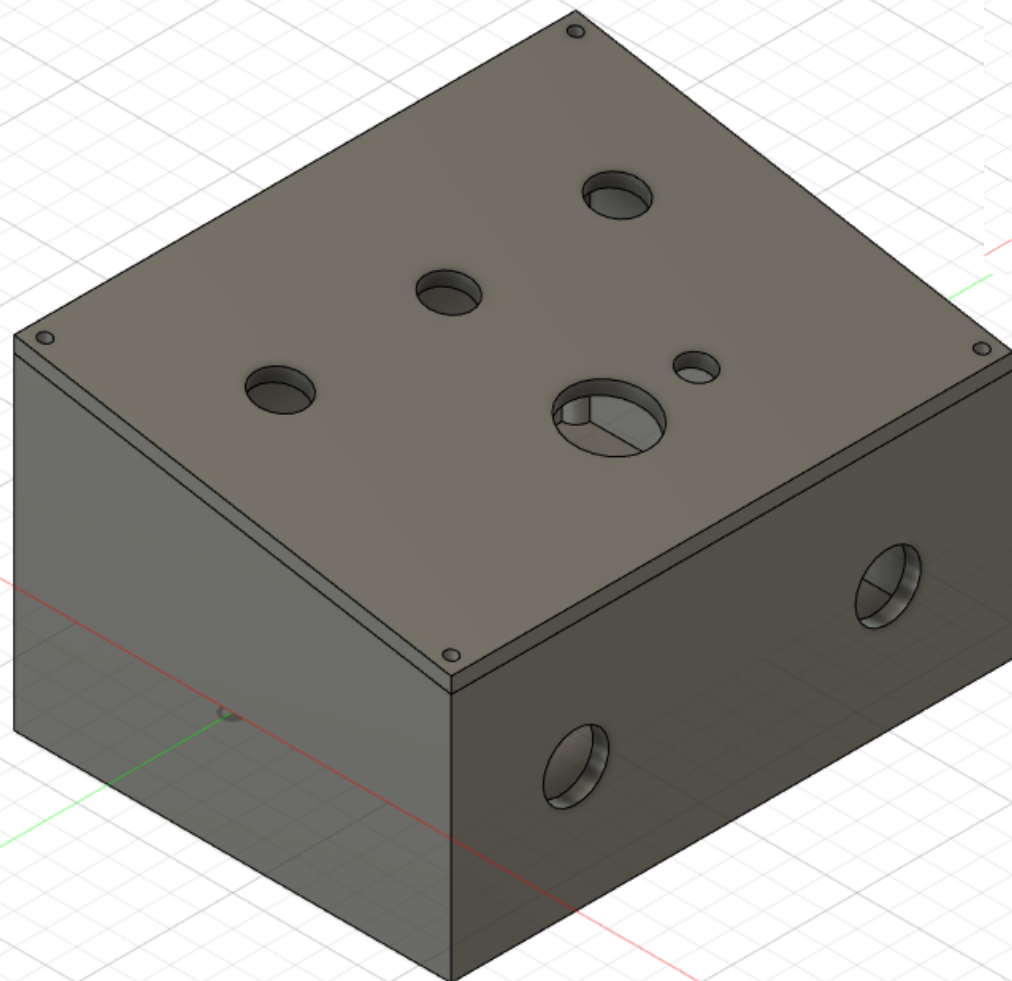
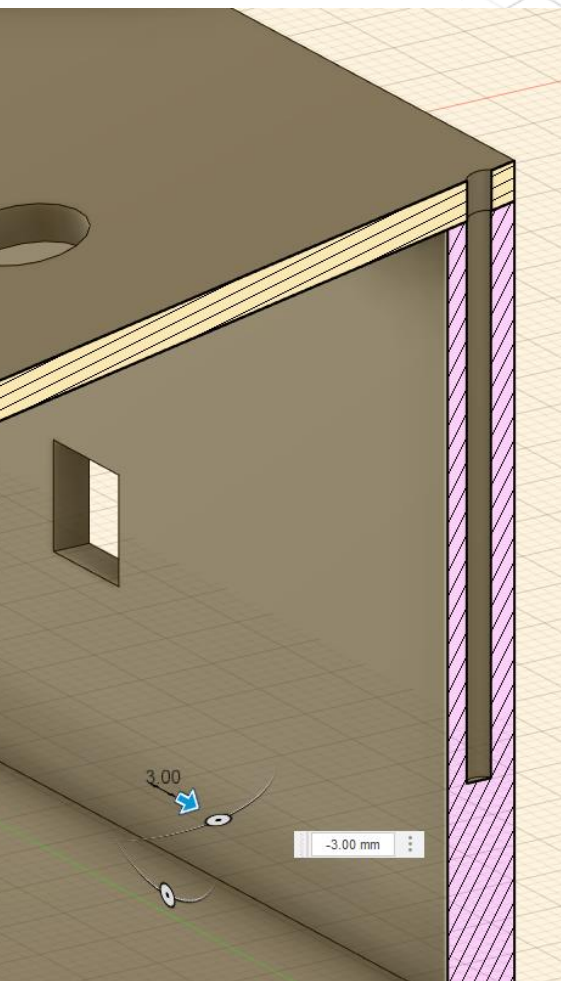
Soldering



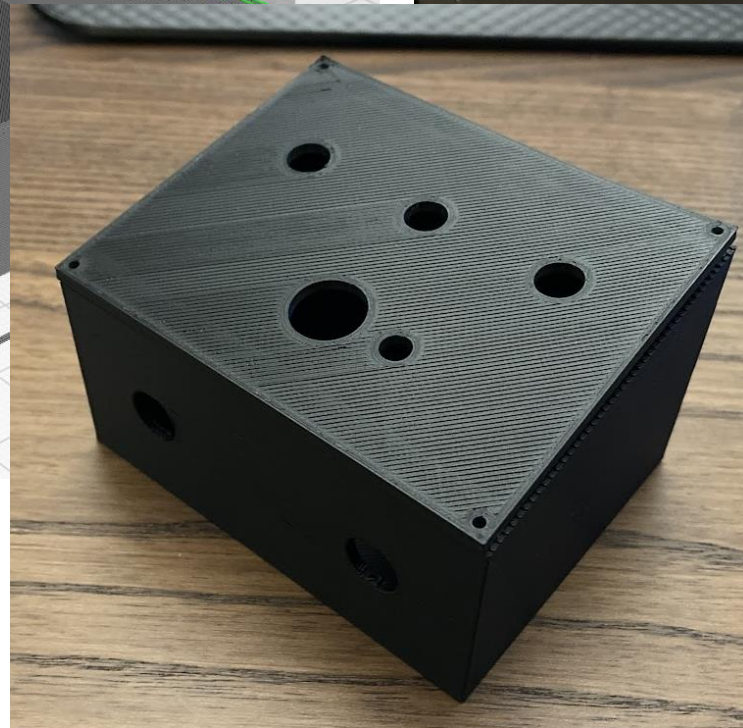
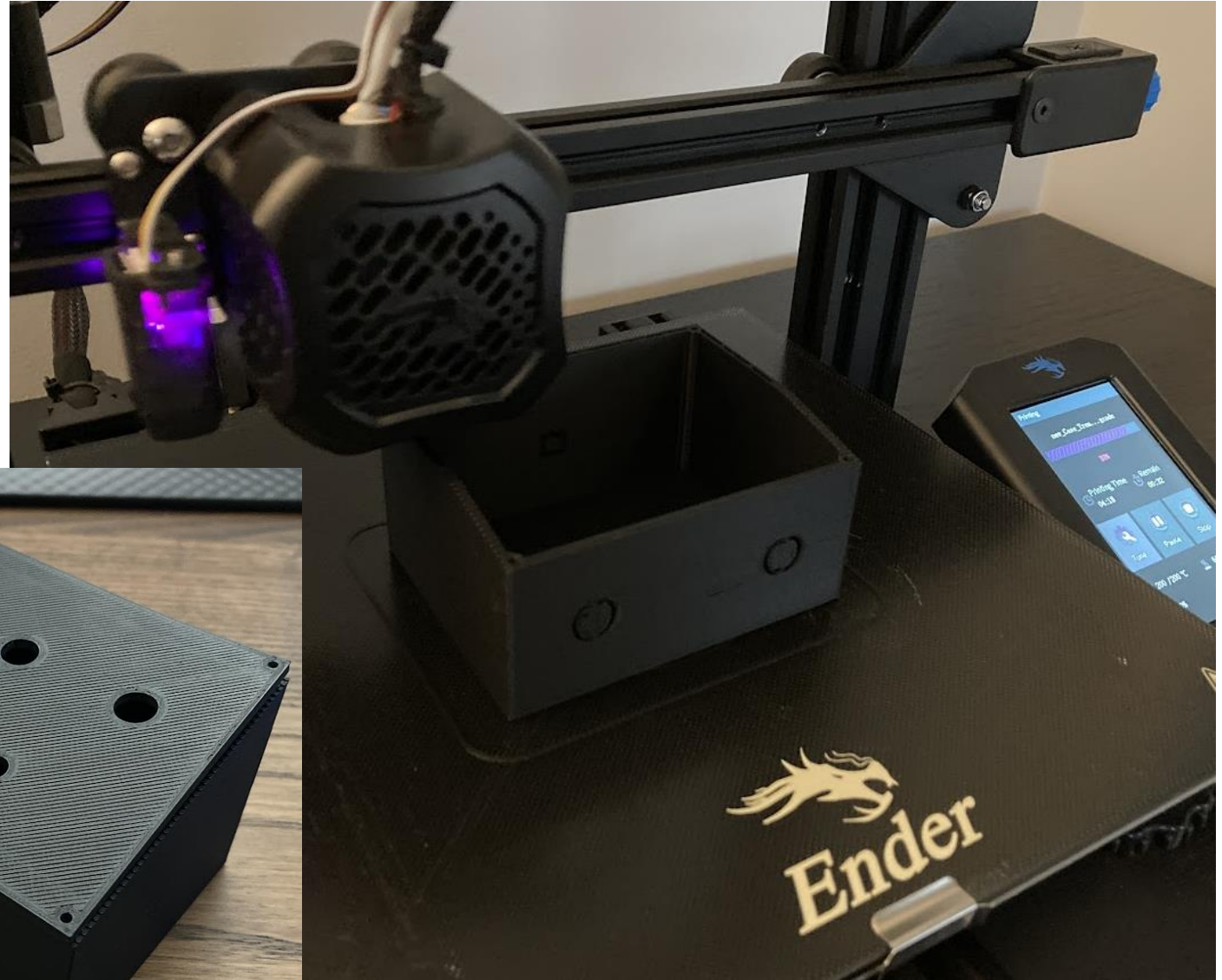
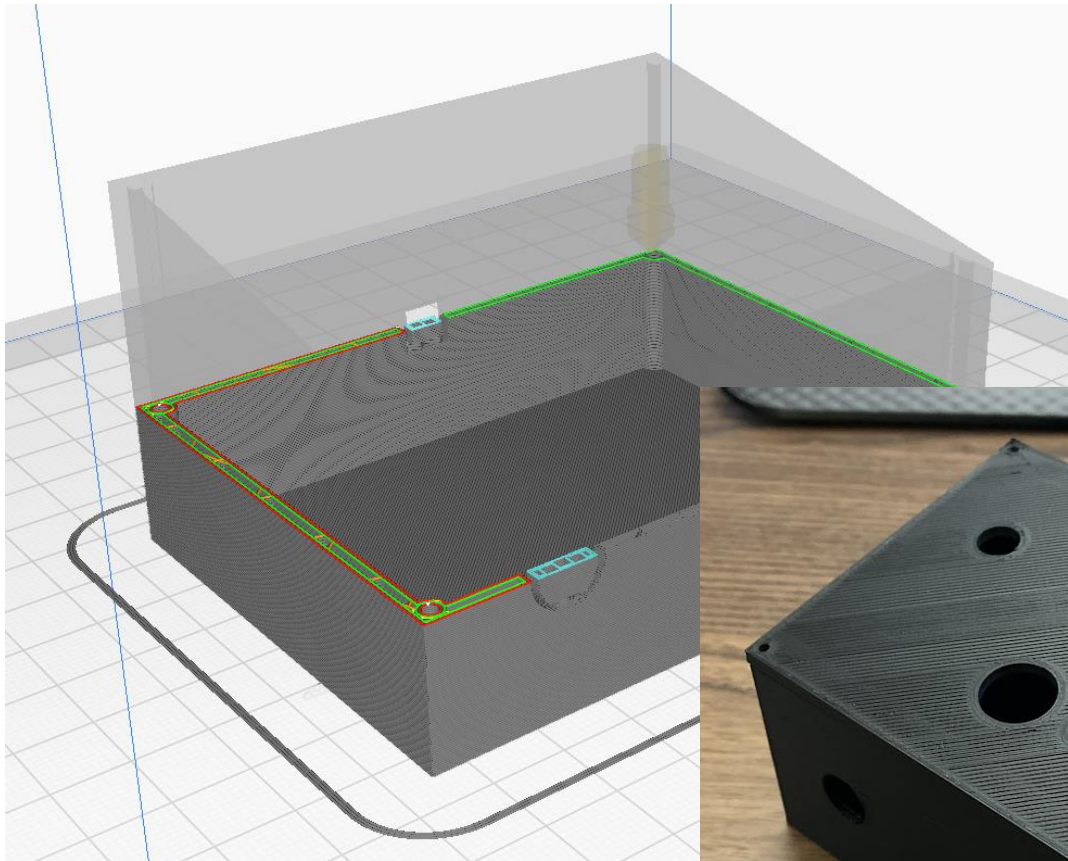
Soldering



Enclosure CAD



3D Printing



Assembly

