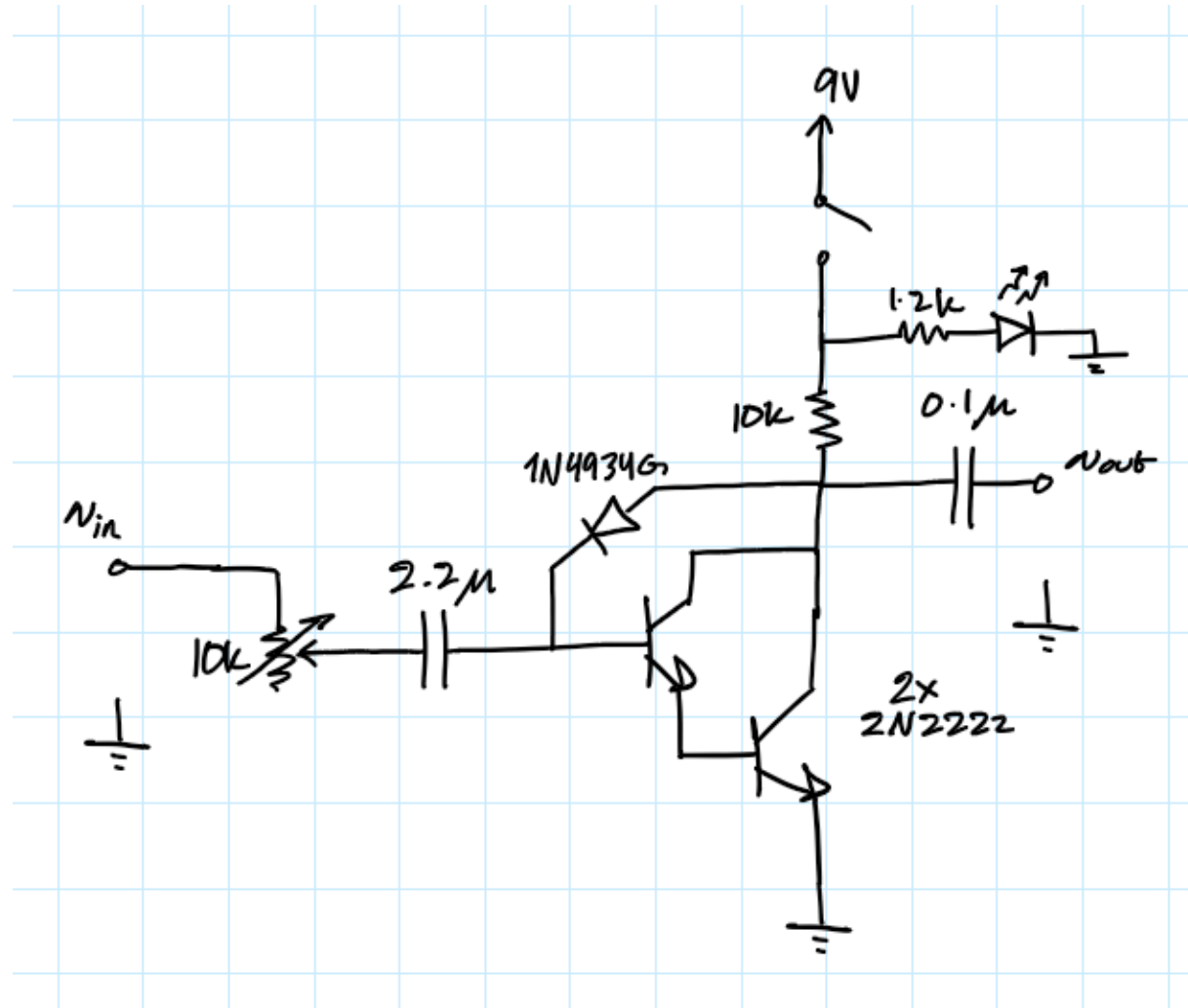
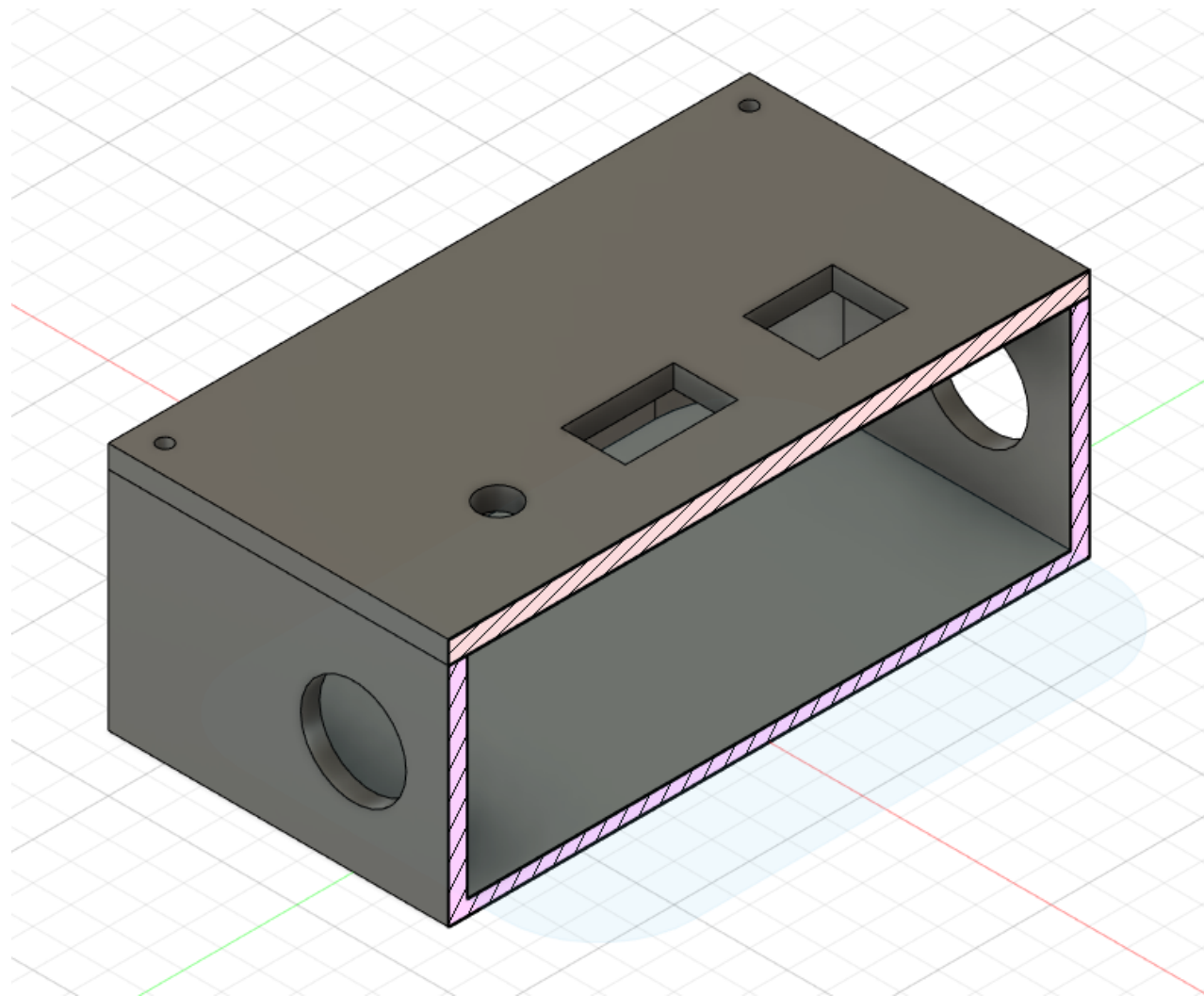


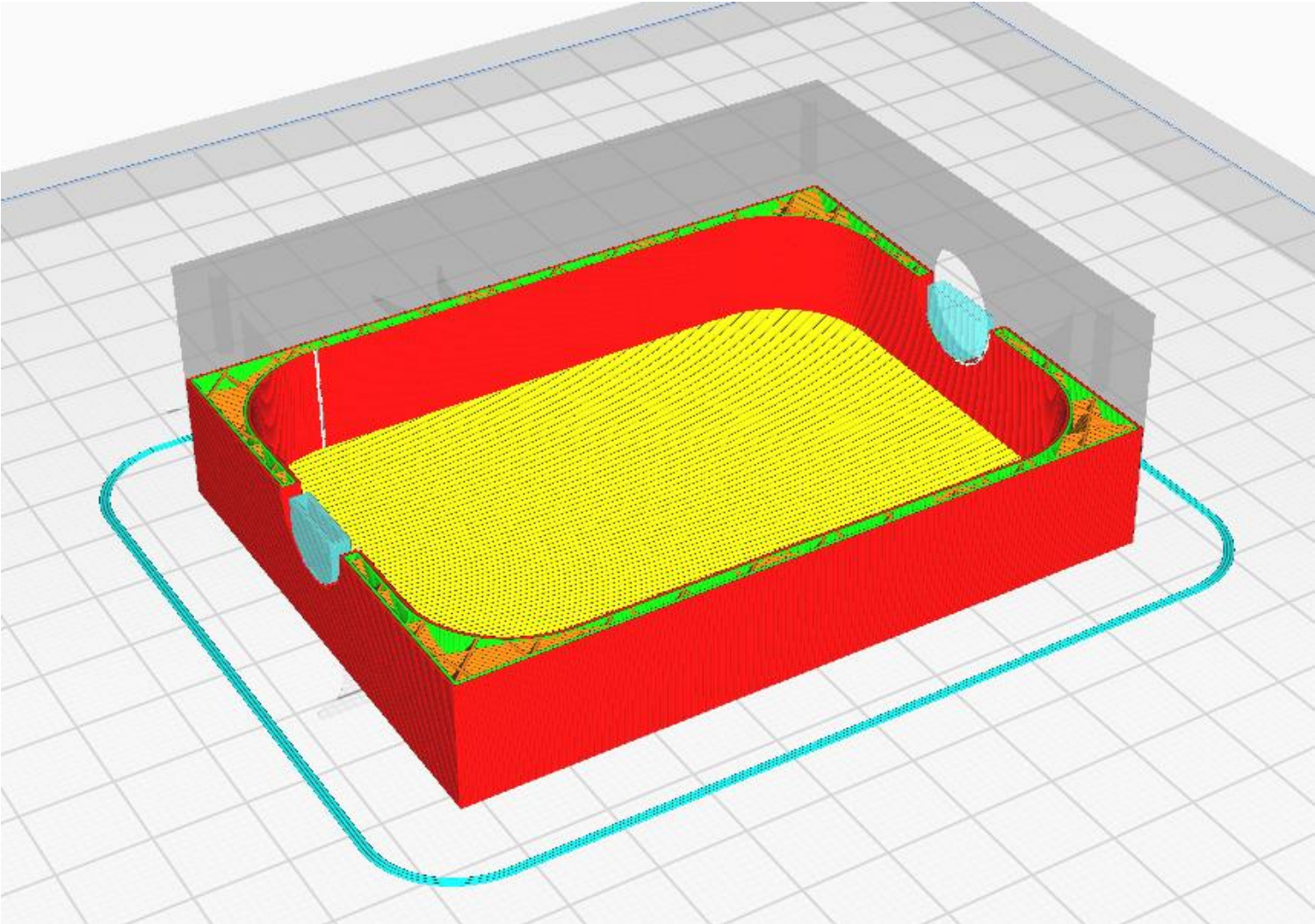
# Schematic



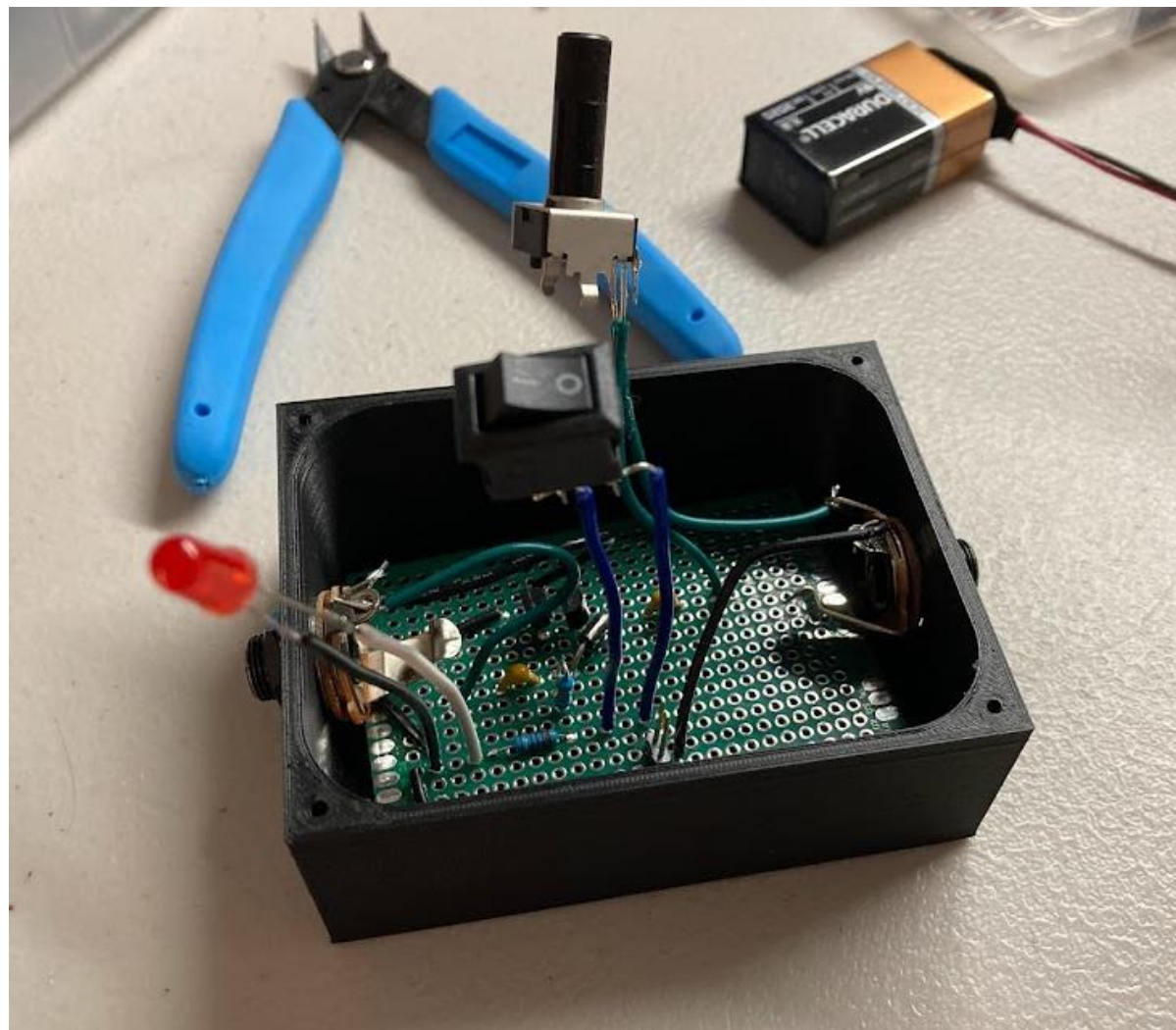
# Enclosure



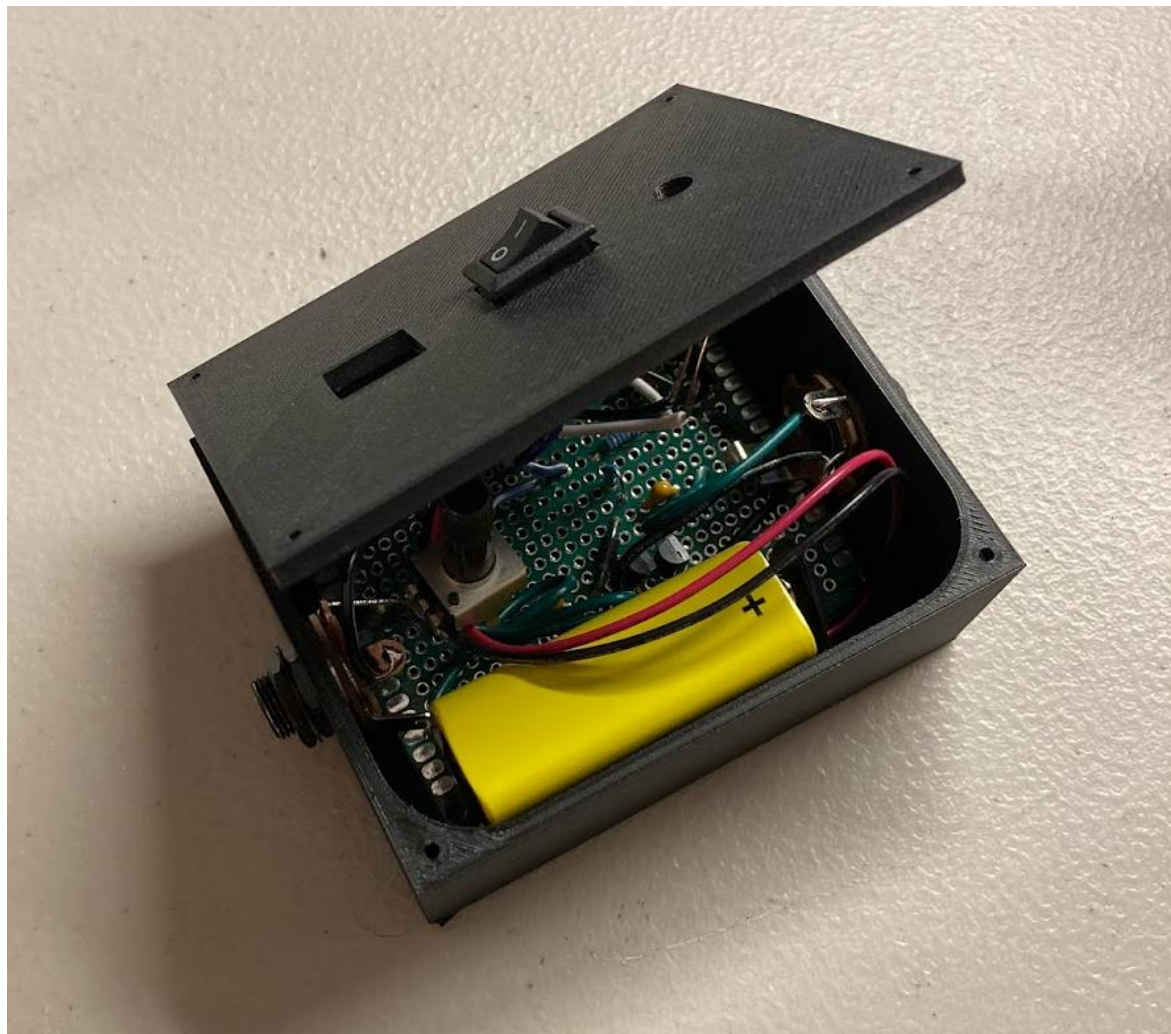
# Slicing



# Soldering



# Assembly



# Testing

